

FIG.4

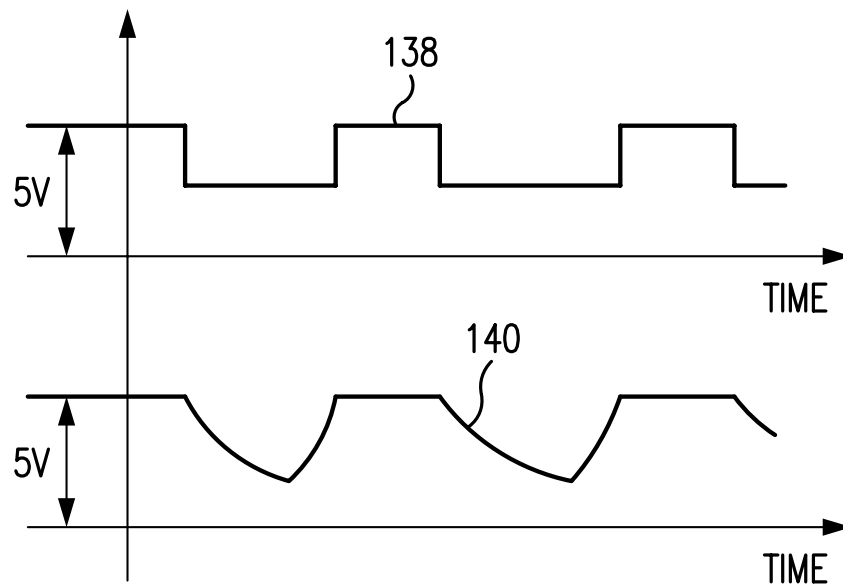


FIG.5

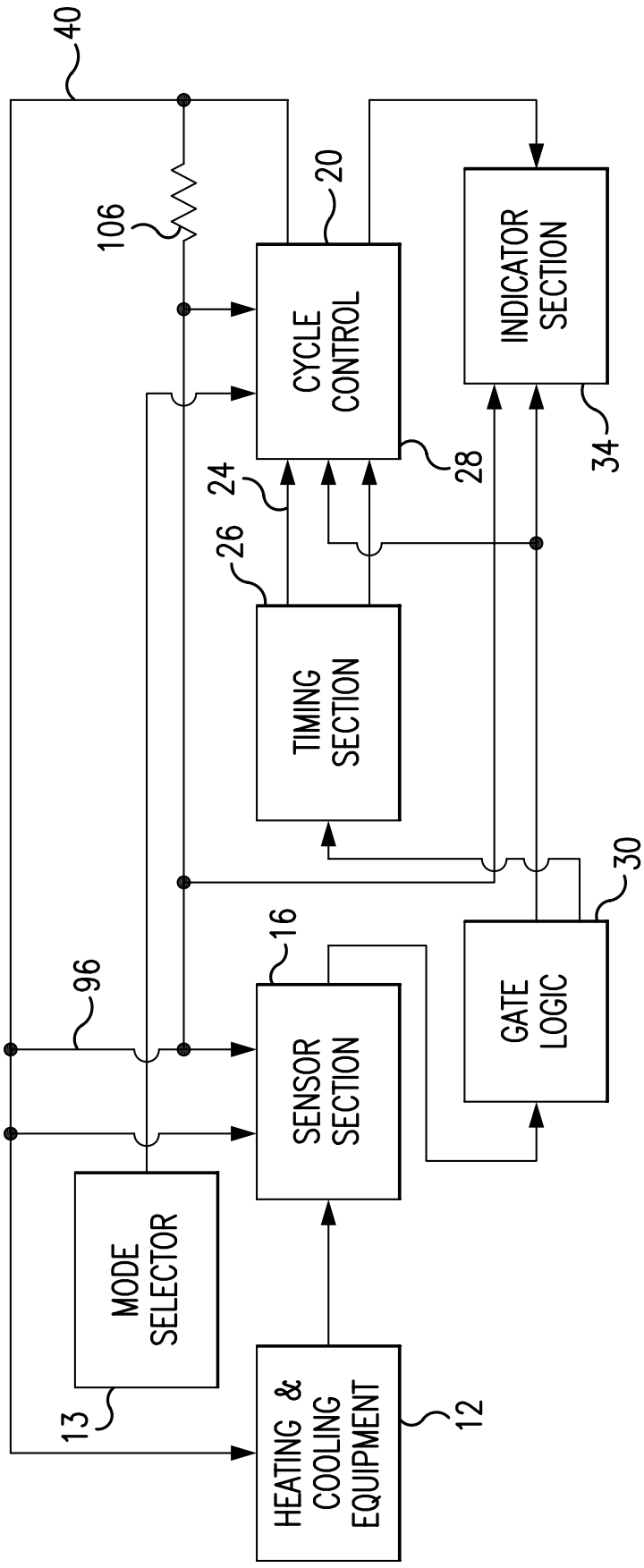


FIG.1

REPLACEMENT SHEET

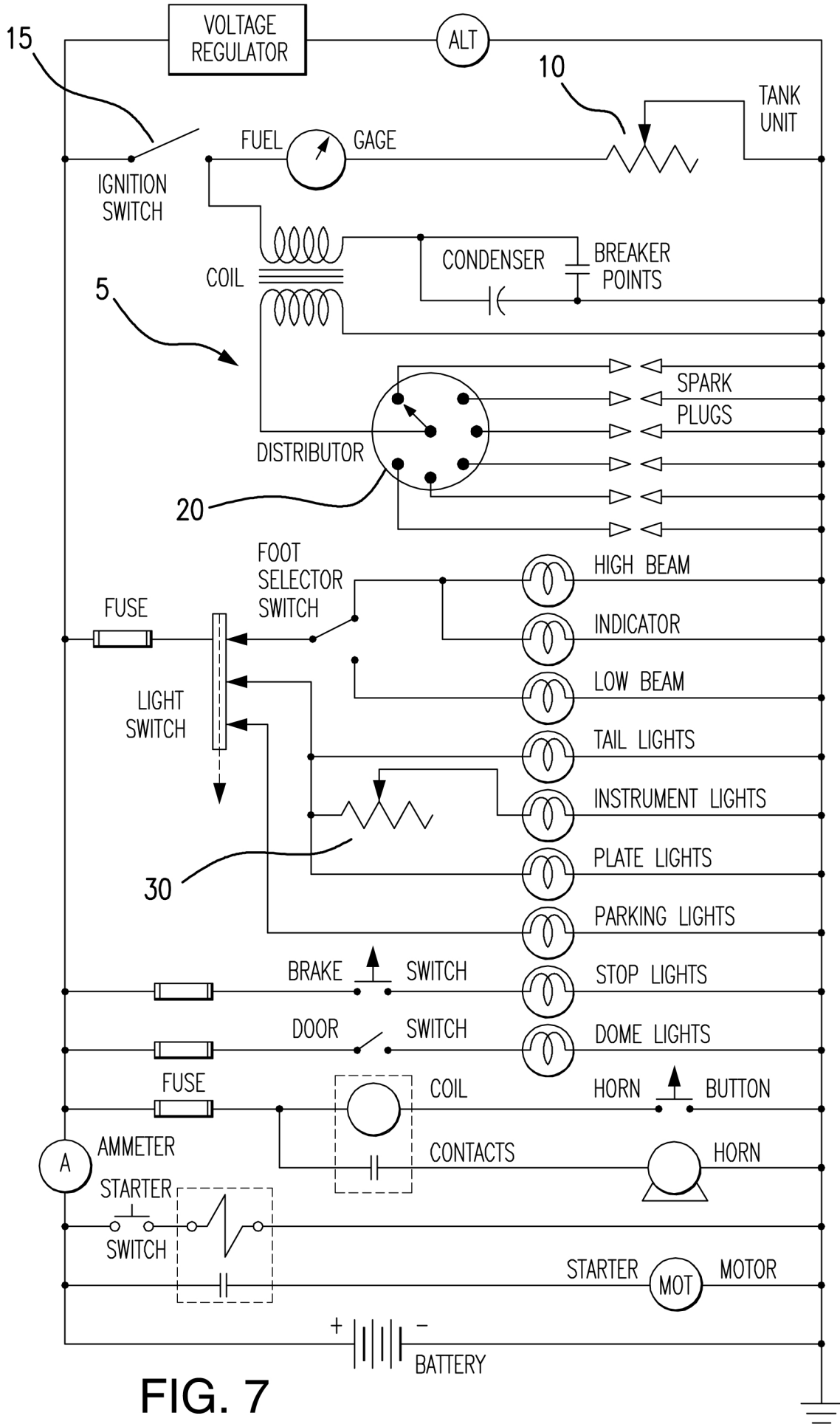


FIG. 7

FIG. 22A

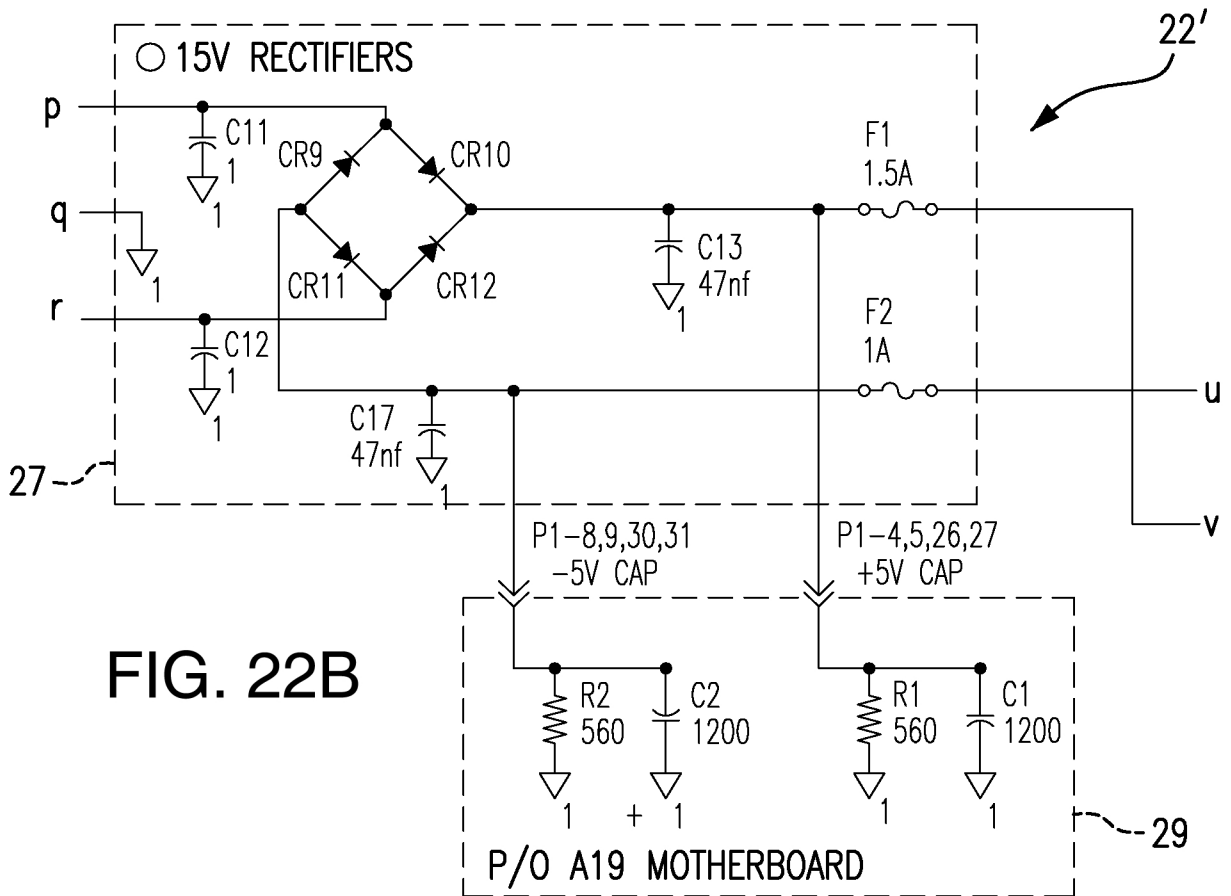
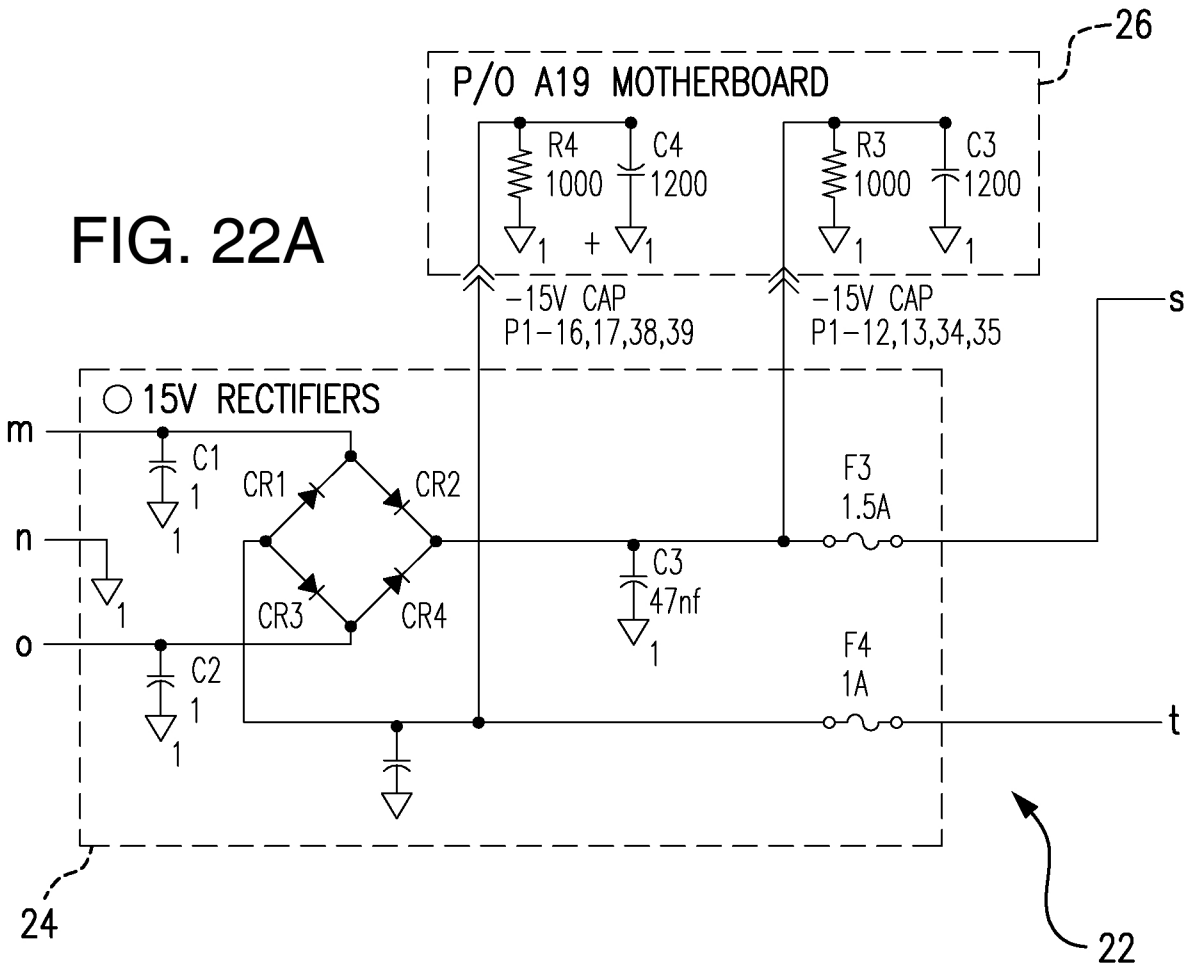


FIG. 22B